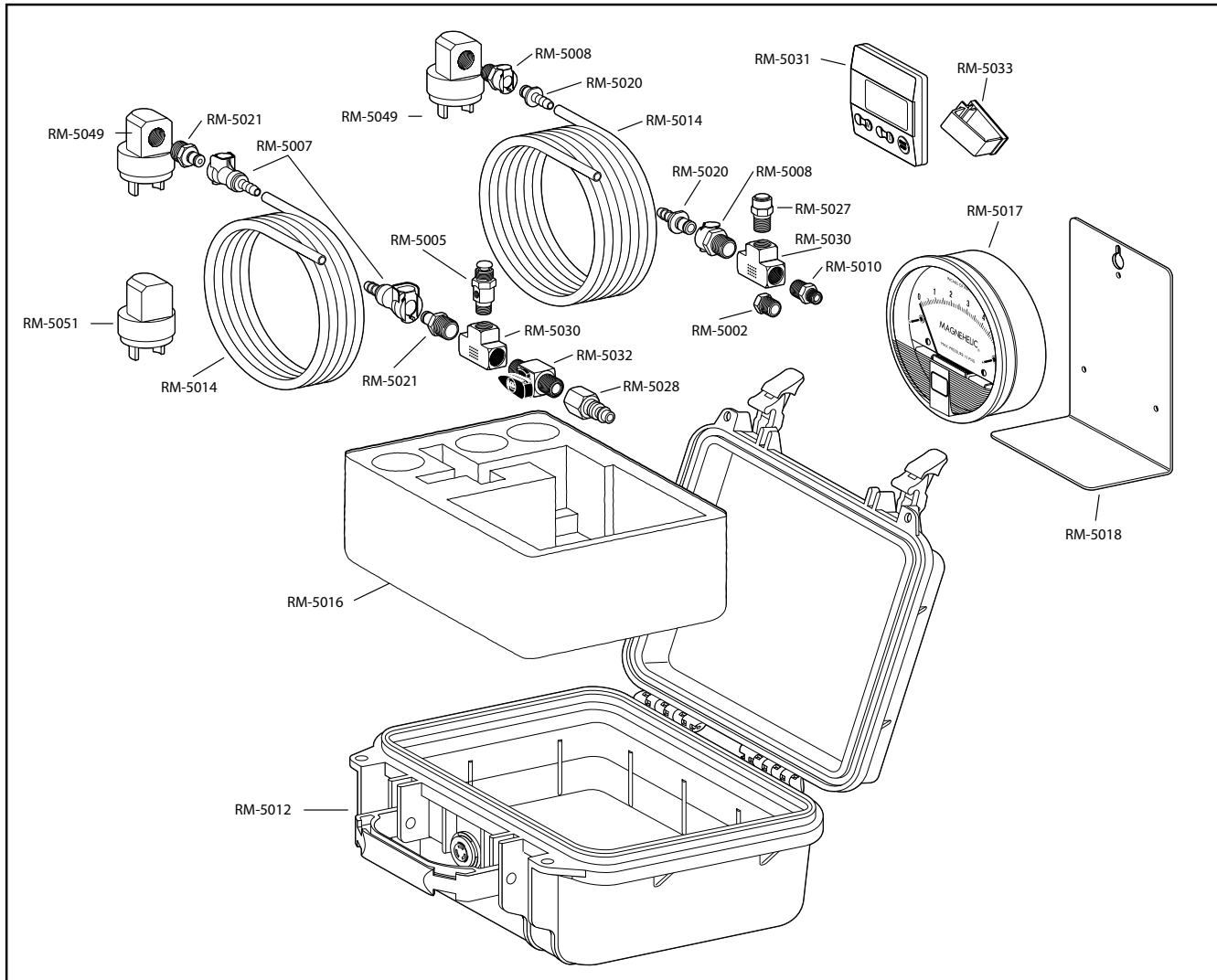


Test Kit Part Numbers – PTK10



Part Number	Description	Part Number	Description
RM-5001	Brass quick disconnect 1/4" x 1/4"	RM-5021	Quick connect 1/4" with MPT
RM-5002	Brass reducer (female) 1/4" x 1/4"	RM-5022	Instruction sheet
RM-5003	Brass cross 1/4" FPT	RM-5023	Supplementary instruction sheet
RM-5004	Brass nipple 1/4"	RM-5024	Aluminum dump valve plug with 3/8" threaded hole
RM-5005	Brass bleed Valve	RM-5027	1/2 lb. pop off valve
RM-5006	Black Max. Adhesive	RM-5028	1/4" x 1/4" NPT hose connection
RM-5007	Quick connect 1/4" body w/barb, white	RM-5029	10 lb. pop off valve
RM-5008	Quick connect with 1/4" MPT, white nylon	RM-5030	1/4" brass tee female thread npt.
RM-5009	Quick connect with 1/8" MPT, white nylon	RM-5031	Alarm timer
RM-5010	1/4"x1/8" Reducing Hex Nipple M x M	RM-5032	Shut off valve
RM-5011	Brass 1/4" pipe plug	RM-5033	Flat wire holder
RM-5012	Test Kit Case	RM-5034	7/8" chair tip (dump valve plug)
RM-5013	Test Kit exhaust valve plug	RM-5035	3/8" brass street elbow
RM-5014	Clear pvc tubing 3/16"	RM-5036	3/8"x 3/8" plug coupler npt male conn
RM-5016	Foam insert	RM-5049	Dump valve plug with 1/4" ipt
RM-5017	Magnehelic gauge	RM-5051	Dump valve plug
RM-5018	A-369 gauge stand bracket		
RM-5019	Rubber gaskets for plug (B.O.M.)		
RM-5020	Quick connect 1/4" insert w/barb		